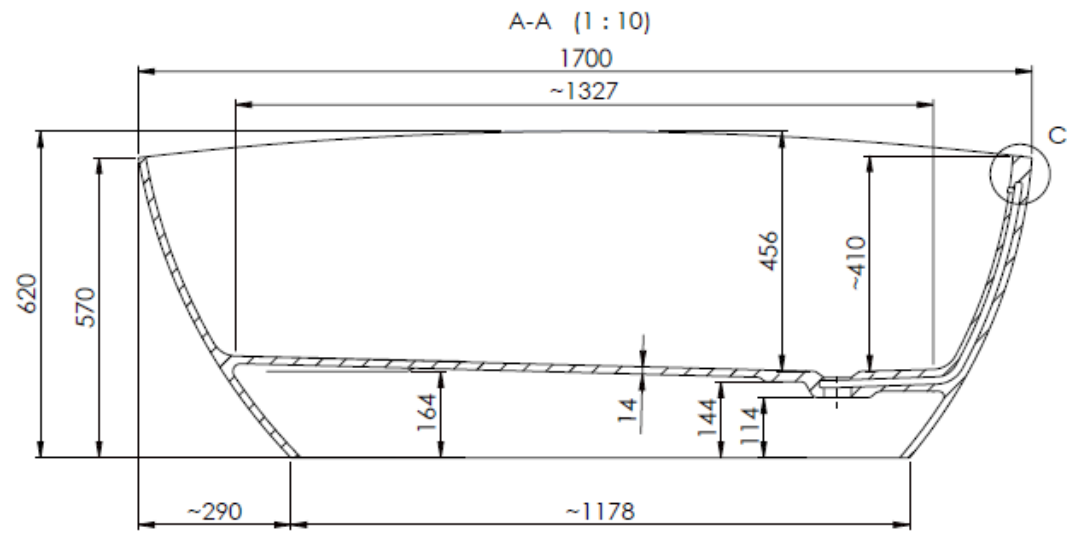
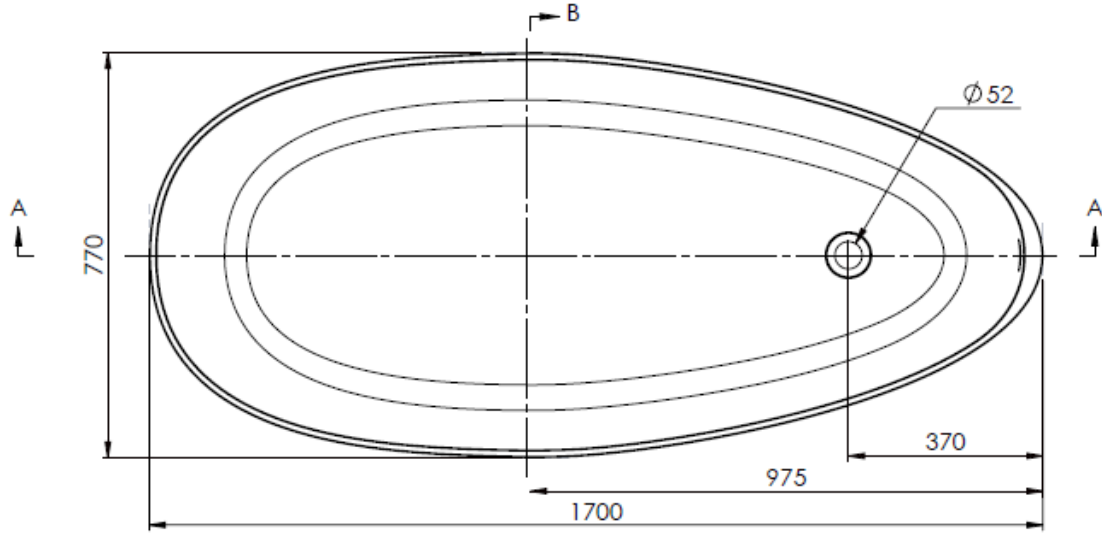
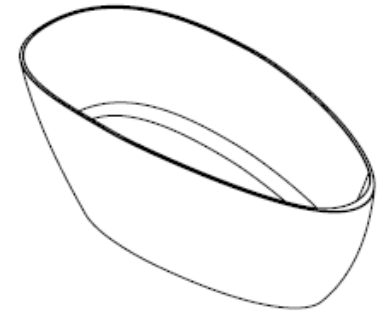
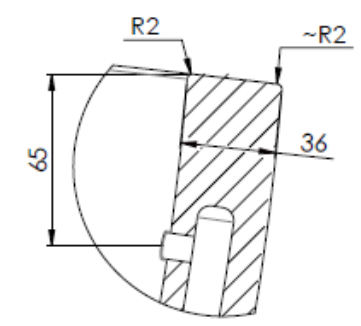


Rev	Design Change Note	Author	Date
A	Internal validation	ZP	2014-10-29
001	First issue - proposal	ZP	2014-10-30
002	Approved	ZP	2014-12-17



C (1 : 2)



B-B (1 : 10)

